

U XX X X XX XX O

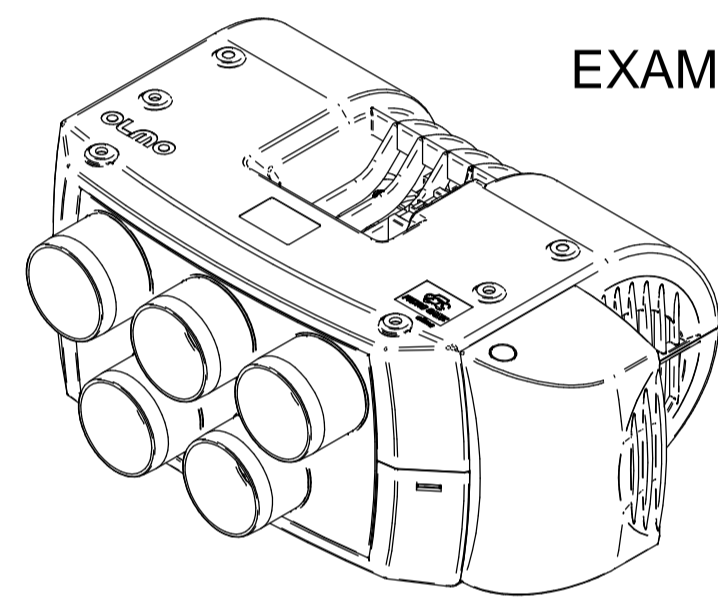
NN: WITHOUT FRONT  
 N6: NOZZLES Ø60 mm  
 GR: GRILLE  
 16: Ø 16 mm (ONLY FOR 90° PIPES)  
 18: Ø 18 mm (ONLY FOR 90° PIPES)  
 20: Ø 20 mm  
 25: Ø 25 mm  
 (PIPES DIAMETER)

N: WITHOUT PROTECTION (90° PIPES)  
 S: WITHOUT PROTECTION (STRAIGHT PIPES)  
 Y: PIPES PROTECTION (ONLY FOR 90° PIPES)

B: BASIC  
 X: XTRA (ONLY 24V)  
 L: LOW

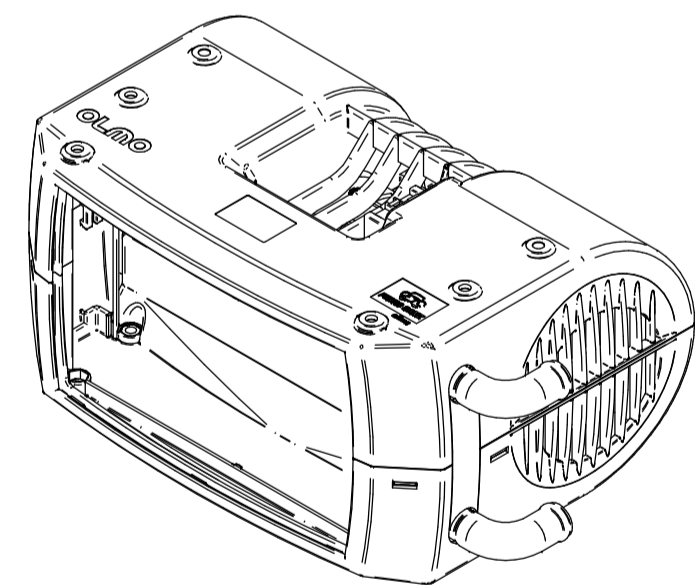
12: 12V NOMINAL VOLTAGE  
 24: 24V NOMINAL VOLTAGE

EXAMPLE: U12BY25N6O

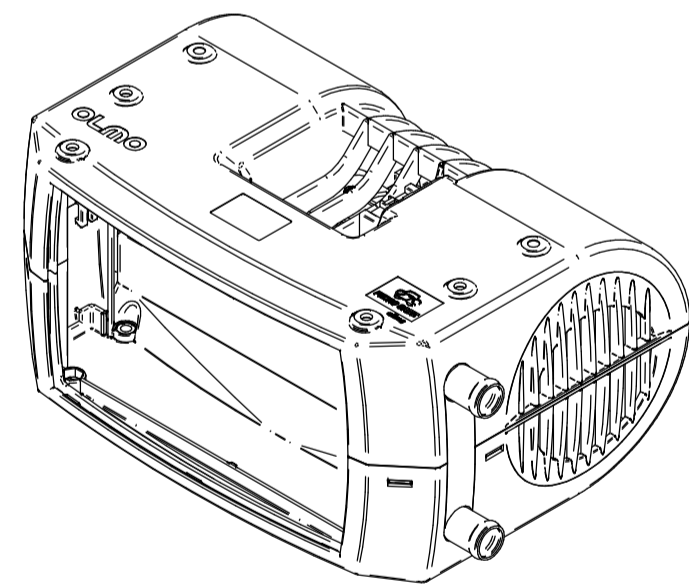


N6: NOZZLES Ø60 mm  
 25: Ø 25 mm  
 Y: PIPES PROTECTION  
 B: BASIC  
 12: 12V NOMINAL VOLTAGE

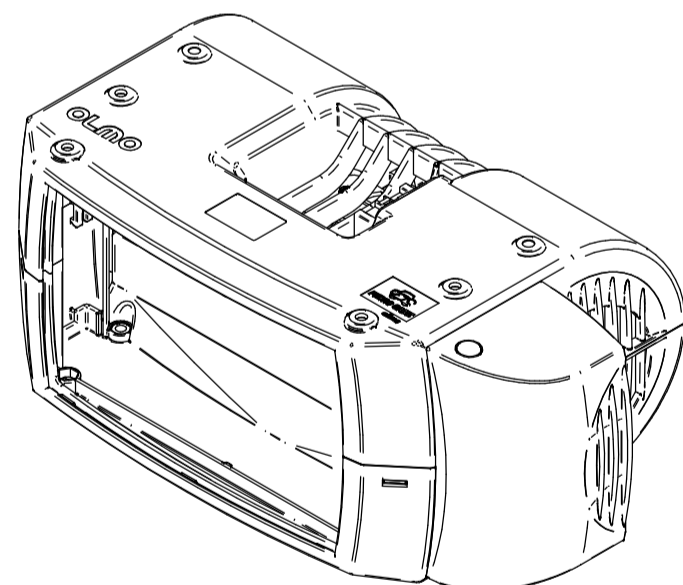
N: WITHOUT PROTECTION  
 (90° PIPES)



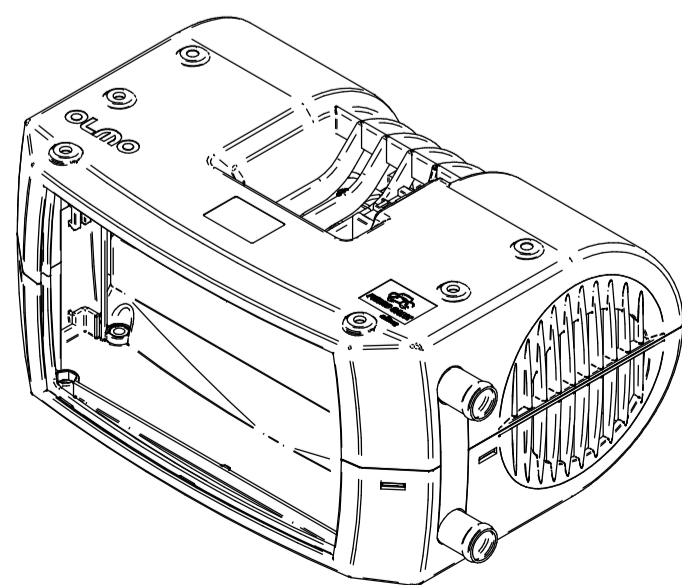
S: WITHOUT PROTECTION  
 (STRAIGHT PIPES)



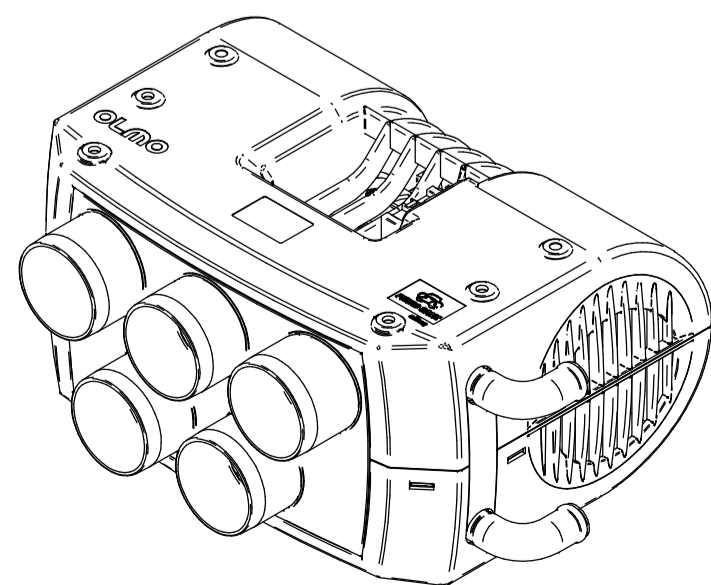
Y: PIPES PROTECTION  
 ONLY FOR 90° PIPES



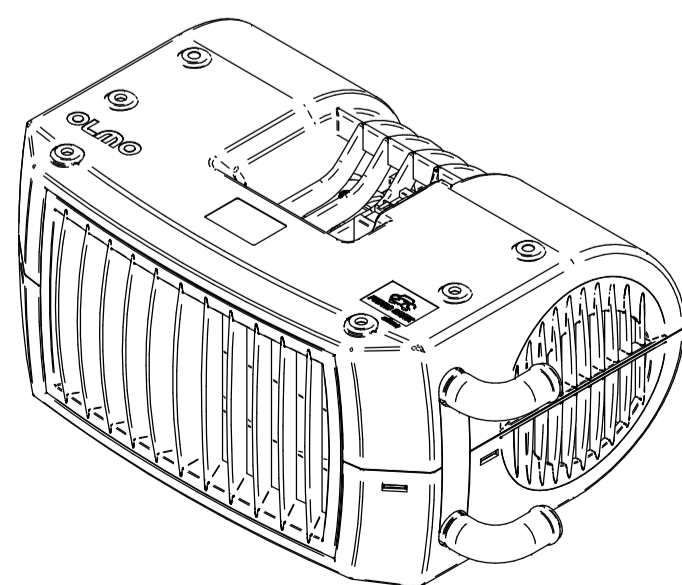
NN: WITHOUT FRONT



N6: NOZZLES Ø60 mm



GR: GRILLE

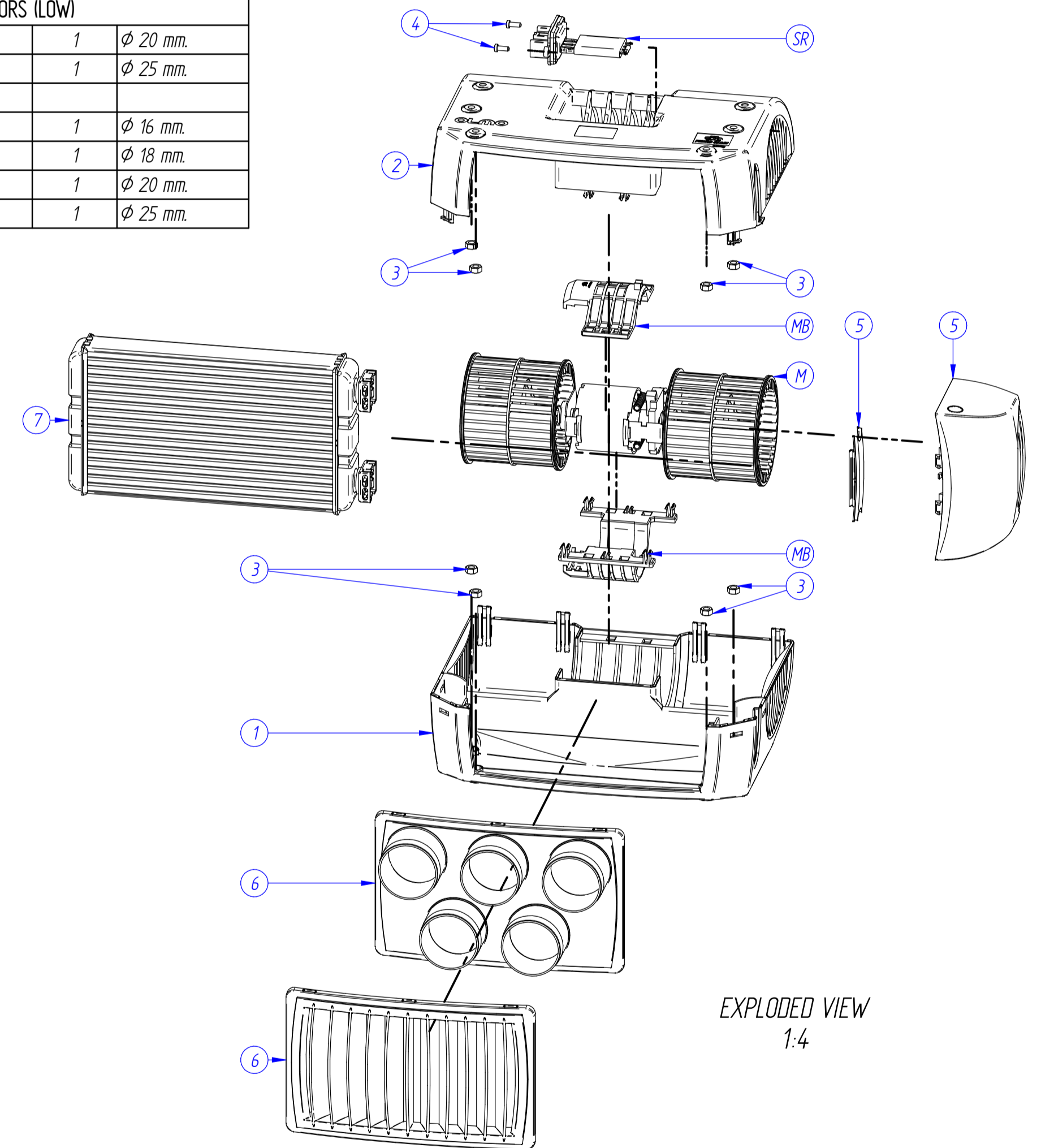


OLMO ULTIMATE STRUCTURE					
HOUSING					
1	6.146.800.055	TOP HOUSING OLMO/PS	1	PP GF30	
2	6.146.800.057	BOTTOM HOUSING OLMO/PS	1	PP GF30	
3	6.903.300.005	NUIT	8	M6 PER DIN 555	
4	6.903.400.155	SCREW Ø4,1x11	2		
COVERS PIPES					
5	6.146.800.054	PIPE COVER	1	PP GF30	
5	6.146.800.050	PIPE COVER 90°	1	PP GF30	
AIR OUTLETS					
6	7.145.500.086	AIR DUCT GRILLES	1		
6	7.145.500.087	AIR DUCT NOZZLES 5xØ60	1		

OLMO ULTIMATE RADIATORS (BASIC + XTRA)					
7	7.145.400.259	RADIATOR STRAIGHT	1	Ø 20 mm.	
7	7.145.400.326	RADIATOR STRAIGHT	1	Ø 25 mm.	
7	7.145.400.260	RADIATOR 90°	1	Ø 16 mm.	
7	7.145.400.261	RADIATOR 90°	1	Ø 18 mm.	
7	7.145.400.254	RADIATOR 90°	1	Ø 20 mm.	
7	7.145.400.253	RADIATOR 90°	1	Ø 25 mm.	

OLMO ULTIMATE RADIATORS (LOW)					
7	7.145.400.259	RADIATOR STRAIGHT	1	Ø 20 mm.	
7	7.145.400.326	RADIATOR STRAIGHT	1	Ø 25 mm.	
7	7.145.400.361	RADIATOR 90° LOW	1	Ø 16 mm.	
7	7.145.400.360	RADIATOR 90° LOW	1	Ø 18 mm.	
7	7.145.400.307	RADIATOR 90° LOW	1	Ø 20 mm.	
7	7.145.400.253	RADIATOR 90°	1	Ø 25 mm.	

OLMO ULTIMATE BLOWERS + E.H.					
	MOTOR (MI)	BOTTOM MOTOR BRACK (MB)	TOP MOTOR BRACK (MB)	ELECTRICAL HARNESS	SPEED RESISTANCE (SR)
12 V. BASIC	7.137.200.109	6.145.100.697	6.145.100.698	7.144.400.733	3.144.500.009
24 V. BASIC	7.137.200.110	6.145.100.697	6.145.100.698	7.144.400.725	3.144.500.004
24 V. XTRA	7.137.200.117	6.146.800.013	6.146.800.014	7.144.400.725	3.144.500.004
12 V. LOW	7.137.200.127	6.145.100.697	6.145.100.698	7.144.400.733	3.144.500.009
24 V. LOW	7.137.200.126	6.145.100.697	6.145.100.698	7.144.400.725	3.144.500.004



EXPLODED VIEW  
 1-4

DO NOT REVISE THIS DRAWING WITHOUT REFERRING TO MODEL.

SUPERSEDES:

SIMILAR TO:

PRINT DISTRIBUTION:

THIS DOCUMENT IS SUPPLIED, DESIGNED AND DOCUMENTED ON SANZ CLIMA FORMAT. THE ORIGINAL IS ON FILE AT SUPPLIER LOCATION. THE SUPPLIER IS RESPONSIBLE FOR PROVIDING SANZ CLIMA REVISION FILE PRINT FOR INTERNAL DISTRIBUTION.

NO DEVIATION FROM THE CONSTRUCTION DEFINED BY AN APPROVED SAMPLE OR DETAILED SPECIFICATION (ON FILE IN SANZ CLIMA ENGINEERING DEPARTMENT) WILL BE MADE WITHOUT APPROVAL FROM SANZ CLIMA.

B	REPLACED REFERENCES P.P. PLASTIC INSTEAD P.A., ADDED NEW LOW REFERENCE	28/09/2016	Abel TT	J.L.R.	J.L.R.	-
A	REVISED INITIAL RELEASE	12/12/2014	R. Gomez	I. Cuenca	I. Cuenca	-
REVISION RECORD		DATE	BY	ENGR.	M.E.	NPCA NO.
CAD SYSTEM: Solid Edge		UNLESS OTHERWISE SPECIFIED ALL DIMENSIONS SHOWN ARE MILLIMETERS, WITH IMPERIAL CONVERSIONS IN PARENTHESES.		Leader in HVAC Systems and Innovation © Ingeniero Torrel Quereño & 38022 Marzalejo, Spain Phone +34 91 781 33 34 Fax +34 91 781 33 34 www.sanzclima.com		
FIRST ANGLE PROJECTION		UNLESS OTHERWISE SPECIFIED TOLERANCES ON:		THIS DOCUMENT AND THE INFORMATION CONTAINED THEREIN IS PROPRIETARY TO SANZ CLIMA CORPORATION AND SHALL NOT BE USED OR DISCLOSED TO OTHERS, IN WHOLE OR IN PART, WITHOUT THE WRITTEN AUTHORIZATION OF SANZ CLIMA CORPORATION.		
MATERIAL:		SURFACES: HOLE DIA. ±0.1 AXEL DIA. ±0.1 THREAD SHIP		APPLICATION: ULTIMATE / XTRA		
TREATMENT:		HOLE SPACING: ±0.4 HOLE LOC: ±0.2 NON-CUMULATIVE		TITLE: ULTIMATE / XTRA		
QUANTITY: 1		RIGHT: - LEFT: -		SIZE: DRAWING NO. A1 ULTIMATE-EXPLODED SHEET 1 OF 1		
WEIGHT: MFGPURCH: -		DIMENSIONS IN PARENTHESES ARE FOR INFORMATION ONLY. TOLERANCES DO NOT APPLY.		NEXT DRAWING: SCALE: 1:4		

COMMODITY CODE: DWG NO.: ULTIMATE-EXPLODED.dwg

REV. B