

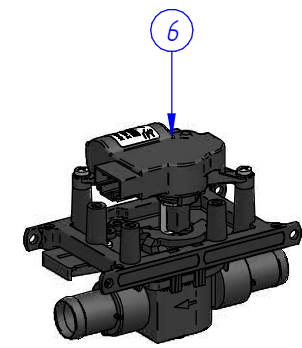
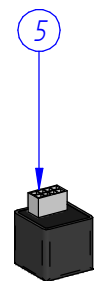
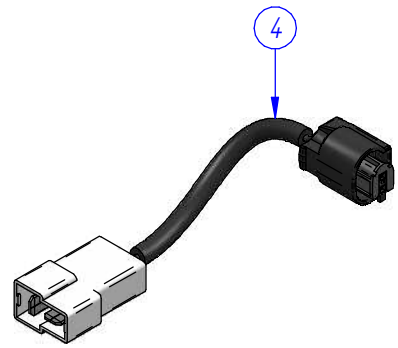
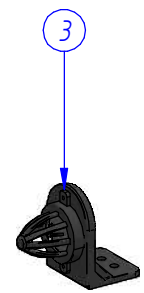
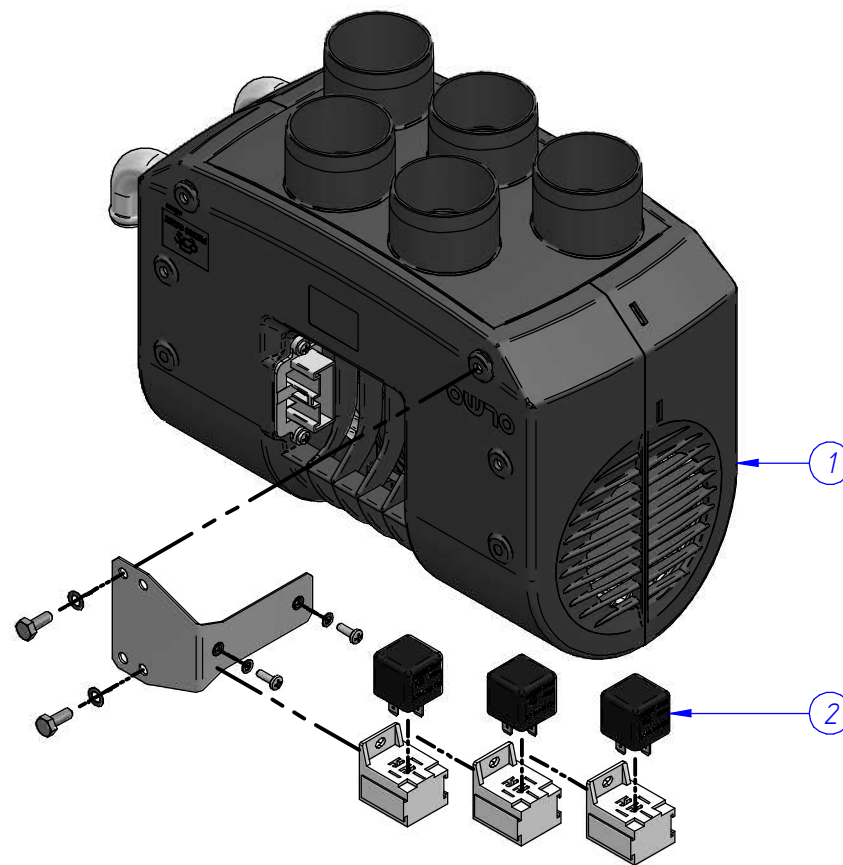
4

3

2

1

ITEM	PART NO.	PART NAME
1	U12BN20N60	OLMO ULTIMATE 12V.
2	0.332.209.152	RELAY
3	4.347.200.062	TEMPERATURE SENSOR
4	7.144.401.018	ELECTRICAL HARNESS
5	4.824.500.002	RELAY
6	7.147.400.405	MOTORIZED VALVE
# INQUIRY SPARE PART		



A	REVISED INITIAL RELEASE	25/08/2016	R. Gomez	I. Cuenca	I. Cuenca	-																																												
SYM	REVISION RECORD	DATE	BY	ENGR.	M.E.	NPCA NO.																																												
CAD SYSTEM:	Solid Edge	UNLESS OTHERWISE SPECIFIED ALL DIMENSIONS SHOWN ARE MILLIMETERS, WITH IMPERIAL CONVERSIONS IN [INCHES].		Leader in HVAC Systems and innovation C/ Ingeniero Torres Quevedo 6 28022 Madrid, Spain Phone +34 91 761 38 34 Fax +34 91 747 83 34 mail@sanz.eu www.sanzclima.com																																														
	FIRST ANGLE PROJECTION	UNLESS OTHERWISE SPECIFIED TOLERANCES ON:		THIS DOCUMENT AND THE INFORMATION CONTAINED THEREIN IS PROPRIETARY TO SANZ CLIMA CORPORATION AND SHALL NOT BE USED OR DISCLOSED TO OTHERS, IN WHOLE OR IN PART, WITHOUT THE WRITTEN AUTHORIZATION OF SANZ CLIMA CORPORATION.																																														
		<table border="1"> <tr> <th>Precision Rate</th> <th>0,5 to 3</th> <th>3 to 6</th> <th>6 to 30</th> <th>30 to 120</th> <th>120 to 315</th> <th>315 to 1000</th> <th>1000 to 2000</th> <th>2000 to more than 4000</th> </tr> <tr> <td>fine</td> <td>±0,05</td> <td>±0,1</td> <td>±0,15</td> <td>±0,2</td> <td>±0,3</td> <td>±0,5</td> <td>±0,8</td> <td></td> </tr> <tr> <td>medium</td> <td>±0,1</td> <td>±0,2</td> <td>±0,3</td> <td>±0,5</td> <td>±0,8</td> <td>±1,2</td> <td>±2</td> <td></td> </tr> <tr> <td>gross</td> <td>±0,15</td> <td>±0,2</td> <td>±0,5</td> <td>±0,8</td> <td>±1,2</td> <td>±2</td> <td>±3</td> <td>±4</td> </tr> <tr> <td>very gross</td> <td>-</td> <td>±0,5</td> <td>±1</td> <td>±1,5</td> <td>±2</td> <td>±3</td> <td>±4</td> <td>±6</td> </tr> </table>	Precision Rate	0,5 to 3	3 to 6	6 to 30	30 to 120	120 to 315	315 to 1000	1000 to 2000	2000 to more than 4000	fine	±0,05	±0,1	±0,15	±0,2	±0,3	±0,5	±0,8		medium	±0,1	±0,2	±0,3	±0,5	±0,8	±1,2	±2		gross	±0,15	±0,2	±0,5	±0,8	±1,2	±2	±3	±4	very gross	-	±0,5	±1	±1,5	±2	±3	±4	±6	APPLICATION 8.902.111.209		
Precision Rate	0,5 to 3	3 to 6	6 to 30	30 to 120	120 to 315	315 to 1000	1000 to 2000	2000 to more than 4000																																										
fine	±0,05	±0,1	±0,15	±0,2	±0,3	±0,5	±0,8																																											
medium	±0,1	±0,2	±0,3	±0,5	±0,8	±1,2	±2																																											
gross	±0,15	±0,2	±0,5	±0,8	±1,2	±2	±3	±4																																										
very gross	-	±0,5	±1	±1,5	±2	±3	±4	±6																																										
MATERIAL:		SURFACES	HOLE DIA. H13	HOLE SPACING ± 0.4	HOLE LOC ± 0.2 ±(.0078)		TITLE KIT OLMO 12V																																											
TREATMENT:		✓AA	AXEL DIA. h13	NON-CUMULATIVE																																														
QUANTITY:	1	RIGHT:	DIMENSIONS IN (PARENTHESIS) ARE FOR INFORMATION ONLY. TOLERANCES DO NOT APPLY.		SIZE	DRAWING NO.	REV																																											
WEIGHT:		LEFT:			A3	8.902.111.209_QR	A																																											
		MFG/PURCH: -			SHEET - OF -																																													
					NEXT DRAWING:		SCALE: O:S																																											

THIS DOCUMENT IS SUPPLIED, DESIGNED AND DOCUMENTED ON SANZ CLIMA FORMAT. THE ORIGINAL IS ON FILE AT SUPPLIER LOCATION. THE SUPPLIER IS RESPONSIBLE FOR PROVIDING SANZ CLIMA REVISION 'FILE PRINT' FOR INTERNAL DISTRIBUTION.

NO DEVIATION FROM THE CONSTRUCTION DEFINED BY AN APPROVED SAMPLE OR DETAILED SPECIFICATION (ON FILE IN SANZ CLIMA ENGINEERING DEPARTMENT) WILL BE MADE WITHOUT APPROVAL FROM SANZ CLIMA.

DO NOT REVISE THIS DRAWING WITHOUT REFERRING TO MODEL: SUPERSEDES: SIMILAR TO: PRINT DISTRIBUTION:

REV.:A

DWG NO.:8.902.111.209_QR

COMMODITY CODE: