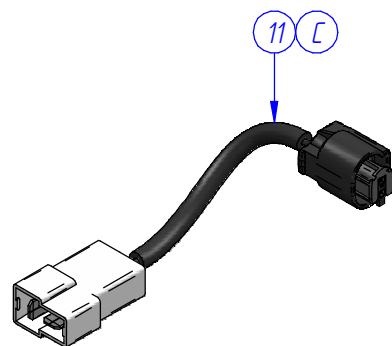
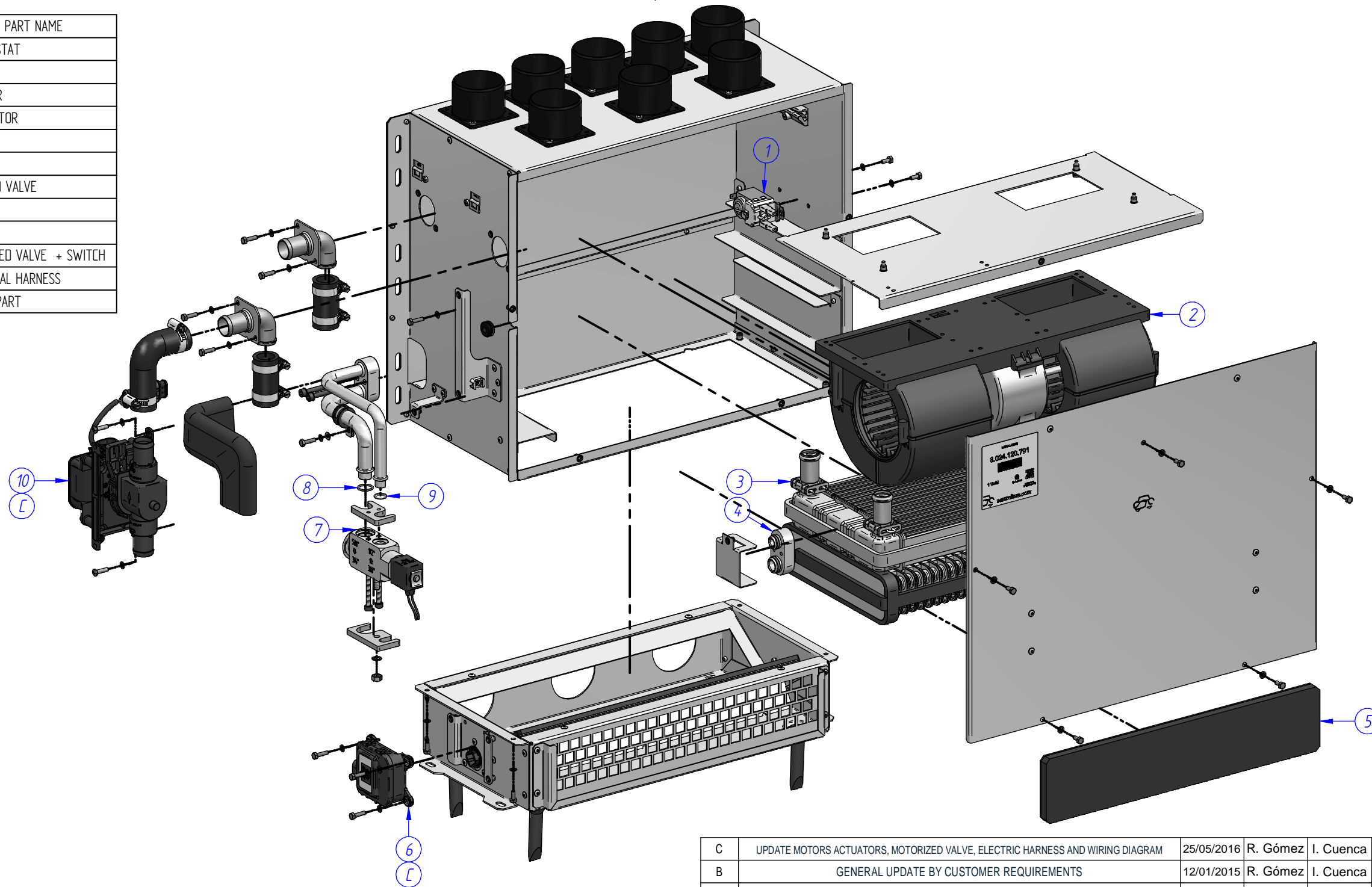


ITEM	PART NO.	PART NAME
1	3.144.400.001	THERMOSTAT
2	7.137.200.080	BLOWER
3	7.145.400.147	RADIATOR
4	7.145.400.294	EVAPORATOR
5	7.147.400.436	FILTER
6	7.903.400.437	MOTOR
7	7.147.400.342	SOLENOID VALVE
8	6.140.200.058	O-RING
9	6.140.200.057	O-RING
10	7.147.400.467	MOTORIZED VALVE + SWITCH
11	7.144.401.002	ELECTRICAL HARNESS
# INQUIRY SPARE PART		



C	UPDATE MOTORS ACTUATORS, MOTORIZED VALVE, ELECTRIC HARNESS AND WIRING DIAGRAM	25/05/2016	R. Gómez	I. Cuenca	I. Cuenca	-
B	GENERAL UPDATE BY CUSTOMER REQUIREMENTS	12/01/2015	R. Gómez	I. Cuenca	I. Cuenca	-
A	REVISED INITIAL RELEASE	20/10/2014	R. Gomez	I. Cuenca	I. Cuenca	-
SYM	REVISION RECORD	DATE	BY	ENGR.	M.E.	NPCA NO.

CAD SYSTEM:	Solid Edge	UNLESS OTHERWISE SPECIFIED ALL DIMENSIONS SHOWN ARE MILLIMETERS, WITH IMPERIAL CONVERSIONS IN [INCHES].	Leader in HVAC Systems and innovation C/ Ingeniero Torres Quevedo 6 28022 Madrid, Spain Phone +34 91 761 38 34 Fax +34 91 747 83 34 mail@sanz.eu www.sanzclima.com																																													
FIRST ANGLE PROJECTION		UNLESS OTHERWISE SPECIFIED TOLERANCES ON:																																														
MATERIAL:	✓ AA	<table border="1"> <tr> <th>Precision Rate</th> <th>0,5 to 3</th> <th>3 to 6</th> <th>6 to 30</th> <th>30 to 120</th> <th>120 to 315</th> <th>315 to 1000</th> <th>1000 to 2000</th> <th>2000 to more than 4000</th> </tr> <tr> <td>fine</td> <td>±0,05</td> <td>±0,05</td> <td>±0,1</td> <td>±0,15</td> <td>±0,2</td> <td>±0,3</td> <td>±0,5</td> <td>±0,8</td> </tr> <tr> <td>medium</td> <td>±0,1</td> <td>±0,1</td> <td>±0,2</td> <td>±0,3</td> <td>±0,5</td> <td>±0,8</td> <td>±1,2</td> <td>±2</td> </tr> <tr> <td>gross</td> <td>±0,15</td> <td>±0,2</td> <td>±0,5</td> <td>±0,8</td> <td>±1,2</td> <td>±2</td> <td>±3</td> <td>±4</td> </tr> <tr> <td>very gross</td> <td>-</td> <td>±0,5</td> <td>±1</td> <td>±1,5</td> <td>±2</td> <td>±3</td> <td>±4</td> <td>±6</td> </tr> </table>	Precision Rate	0,5 to 3	3 to 6	6 to 30	30 to 120	120 to 315	315 to 1000	1000 to 2000	2000 to more than 4000	fine	±0,05	±0,05	±0,1	±0,15	±0,2	±0,3	±0,5	±0,8	medium	±0,1	±0,1	±0,2	±0,3	±0,5	±0,8	±1,2	±2	gross	±0,15	±0,2	±0,5	±0,8	±1,2	±2	±3	±4	very gross	-	±0,5	±1	±1,5	±2	±3	±4	±6	THIS DOCUMENT AND THE INFORMATION CONTAINED THEREIN IS PROPRIETARY TO SANZ CLIMA CORPORATION AND SHALL NOT BE USED OR DISCLOSED TO OTHERS, IN WHOLE OR IN PART, WITHOUT THE WRITTEN AUTHORIZATION OF SANZ CLIMA CORPORATION.
Precision Rate	0,5 to 3	3 to 6	6 to 30	30 to 120	120 to 315	315 to 1000	1000 to 2000	2000 to more than 4000																																								
fine	±0,05	±0,05	±0,1	±0,15	±0,2	±0,3	±0,5	±0,8																																								
medium	±0,1	±0,1	±0,2	±0,3	±0,5	±0,8	±1,2	±2																																								
gross	±0,15	±0,2	±0,5	±0,8	±1,2	±2	±3	±4																																								
very gross	-	±0,5	±1	±1,5	±2	±3	±4	±6																																								
TREATMENT:		<table border="1"> <tr> <th>SURFACES</th> <th>HOLE DIA. H13</th> <th>HOLE SPACING ± 0.4</th> <th>HOLE LOC ± 0.2</th> </tr> <tr> <td>✓ AA</td> <td>AXEL DIA. h13</td> <td>±0.15</td> <td>±0.078</td> </tr> <tr> <td></td> <td>THREAD SH8</td> <td>NON-CUMULATIVE</td> <td></td> </tr> </table>	SURFACES	HOLE DIA. H13	HOLE SPACING ± 0.4	HOLE LOC ± 0.2	✓ AA	AXEL DIA. h13	±0.15	±0.078		THREAD SH8	NON-CUMULATIVE		APPLICATION 8.024.120.791																																	
SURFACES	HOLE DIA. H13	HOLE SPACING ± 0.4	HOLE LOC ± 0.2																																													
✓ AA	AXEL DIA. h13	±0.15	±0.078																																													
	THREAD SH8	NON-CUMULATIVE																																														
QUANTITY:	1	RIGHT: - LEFT: -	TITLE DEFROSTER																																													
WEIGHT:		MFG/PURCH: -	<table border="1"> <tr> <td>SIZE</td> <td>DRAWING NO.</td> <td>REV</td> </tr> <tr> <td>A3</td> <td>8.024.120.791_QR</td> <td>C</td> </tr> <tr> <td colspan="2">SHEET - OF -</td> <td></td> </tr> </table>	SIZE	DRAWING NO.	REV	A3	8.024.120.791_QR	C	SHEET - OF -																																						
SIZE	DRAWING NO.	REV																																														
A3	8.024.120.791_QR	C																																														
SHEET - OF -																																																
DIMENSIONS IN (PARENTHESIS) ARE FOR INFORMATION ONLY. TOLERANCES DO NOT APPLY.		NEXT DRAWING: SCALE: O:S																																														

THIS DOCUMENT IS SUPPLIED, DESIGNED AND DOCUMENTED ON SANZ CLIMA FORMAT. THE ORIGINAL IS ON FILE AT SUPPLIER LOCATION. THE SUPPLIER IS RESPONSIBLE FOR PROVIDING SANZ CLIMA REVISION "FILE PRINT" FOR INTERNAL DISTRIBUTION.

NO DEVIATION FROM THE CONSTRUCTION DEFINED BY AN APPROVED SAMPLE OR DETAILED SPECIFICATION (ON FILE IN SANZ CLIMA ENGINEERING DEPARTMENT) WILL BE MADE WITHOUT APPROVAL FROM SANZ CLIMA.

DO NOT REVISE THIS DRAWING WITHOUT REFERRING TO MODEL:

SUPERSEDES:

SIMILAR TO:

PRINT DISTRIBUTION:

REV.: C

DWG NO.: 8.024.120.791_QR

COMMODITY CODE: