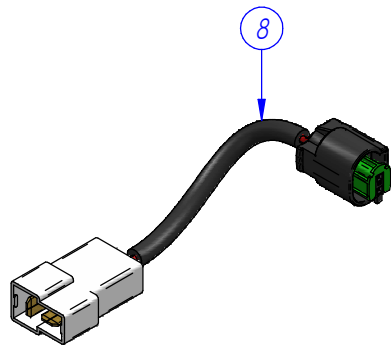
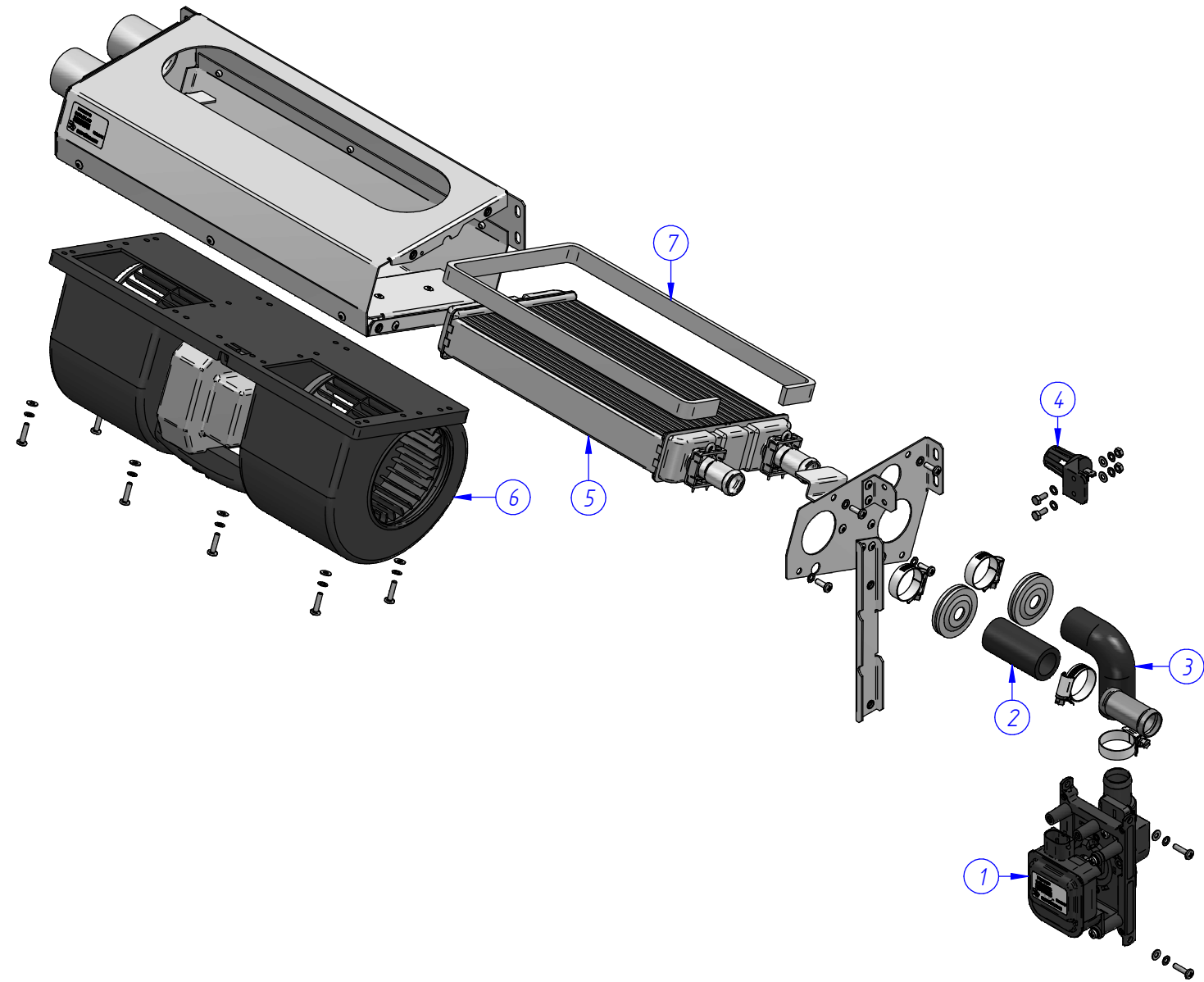

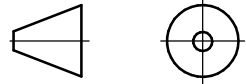


ITEM	PART NO.	PART NAME
1	7.147.400.437	MOTORIZED VALVE
2	7.140.700.963	SLEEVE
3	7.140.700.975	SLEEVE 90G
4	7.347.200.082	SENSOR
5	7.145.400.259	RADIATOR
6	7.137.200.069	BLOWER 24V.
7	6.141.000.254	JOINT RADIATOR
8	7.144.400.750	ELECTRICAL HARNESS
# INQUIRY SPARE PART		



THIS DOCUMENT IS SUPPLIED, DESIGNED AND DOCUMENTED ON SANZ CLIMA FORMAT. THE ORIGINAL IS ON FILE AT SUPPLIER LOCATION. THE SUPPLIER IS RESPONSIBLE FOR PROVIDING SANZ CLIMA REVISION 'FILE PRINT' FOR INTERNAL DISTRIBUTION.

NO DEVIATION FROM THE CONSTRUCTION DEFINED BY AN APPROVED SAMPLE OR DETAILED SPECIFICATION (ON FILE IN SANZ CLIMA ENGINEERING DEPARTMENT) WILL BE MADE WITHOUT APPROVAL FROM SANZ CLIMA.

A	REVISED INITIAL RELEASE				05/05/2016	Abel TT	D. Perea	D. Perea	-																																														
SYM	REVISION RECORD				DATE	BY	ENGR.	M.E.	NPCA NO.																																														
CAD SYSTEM:	Solid Edge						Leader in HVAC Systems and innovation C/ Ingeniero Torres Quevedo 6 28022 Madrid, Spain Phone +34 91 761 38 34 Fax +34 91 747 83 34 mail@sanzeu																																																
	FIRST ANGLE PROJECTION 				UNLESS OTHERWISE SPECIFIED TOLERANCES ON: <table border="1"> <thead> <tr> <th>Precision Rate</th> <th>0,5 to 3</th> <th>3 to 6</th> <th>6 to 30</th> <th>30 to 120</th> <th>120 to 315</th> <th>315 to 1000</th> <th>1000 to 2000</th> <th>more than 2000</th> </tr> </thead> <tbody> <tr> <td>fine</td> <td>±0,05</td> <td>±0,05</td> <td>±0,1</td> <td>±0,15</td> <td>±0,2</td> <td>±0,3</td> <td>±0,5</td> <td>±0,8</td> </tr> <tr> <td>medium</td> <td>±0,1</td> <td>±0,1</td> <td>±0,2</td> <td>±0,3</td> <td>±0,5</td> <td>±0,8</td> <td>±1,2</td> <td>±2</td> </tr> <tr> <td>gross</td> <td>±0,15</td> <td>±0,2</td> <td>±0,5</td> <td>±0,8</td> <td>±1,2</td> <td>±2</td> <td>±3</td> <td>±4</td> </tr> <tr> <td>very gross</td> <td>-</td> <td>±0,5</td> <td>±1</td> <td>±1,5</td> <td>±2</td> <td>±3</td> <td>±4</td> <td>±6</td> </tr> </tbody> </table>				Precision Rate	0,5 to 3	3 to 6	6 to 30	30 to 120	120 to 315	315 to 1000	1000 to 2000	more than 2000	fine	±0,05	±0,05	±0,1	±0,15	±0,2	±0,3	±0,5	±0,8	medium	±0,1	±0,1	±0,2	±0,3	±0,5	±0,8	±1,2	±2	gross	±0,15	±0,2	±0,5	±0,8	±1,2	±2	±3	±4	very gross	-	±0,5	±1	±1,5	±2	±3	±4	±6	THIS DOCUMENT AND THE INFORMATION CONTAINED THEREIN IS PROPRIETARY TO SANZ CLIMA CORPORATION AND SHALL NOT BE USED OR DISCLOSED TO OTHERS, IN WHOLE OR IN PART, WITHOUT THE WRITTEN AUTHORIZATION OF SANZ CLIMA CORPORATION.	
Precision Rate	0,5 to 3	3 to 6	6 to 30	30 to 120	120 to 315	315 to 1000	1000 to 2000	more than 2000																																															
fine	±0,05	±0,05	±0,1	±0,15	±0,2	±0,3	±0,5	±0,8																																															
medium	±0,1	±0,1	±0,2	±0,3	±0,5	±0,8	±1,2	±2																																															
gross	±0,15	±0,2	±0,5	±0,8	±1,2	±2	±3	±4																																															
very gross	-	±0,5	±1	±1,5	±2	±3	±4	±6																																															
MATERIAL:	SURFACES				HOLE DIA. H13		HOLE SPACING ± 0.4		HOLE LOC ± 0.2																																														
TREATMENT:	✓ AA				HOLE DIA. h13		NON-CUMULATIVE		±(.0078)																																														
QUANTITY:	1	RIGHT:	-	DIMENSIONS IN (PARENTHESIS) ARE FOR INFORMATION ONLY. TOLERANCES DO NOT APPLY.																																																			
WEIGHT:		LEFT:	-																																																				
		MFG/PURCH:	-MFG																																																				
APPLICATION					8.004.121.142																																																		
TITLE					DEFROSTER (UK)																																																		
SIZE		DRAWING NO.			REV																																																		
A3		8.004.121.142 QR			SHEET - OF -		A																																																
NEXT DRAWING:					SCALE: 1:5																																																		

DO NOT REVISE THIS DRAWING WITHOUT REFERRING TO MODEL:

SUPERSEDES:

SIMILAR TO:

PRINT DISTRIBUTION:

REV.: A

DWG NO.: 8.004.121.142 QR

COMMODITY CODE: